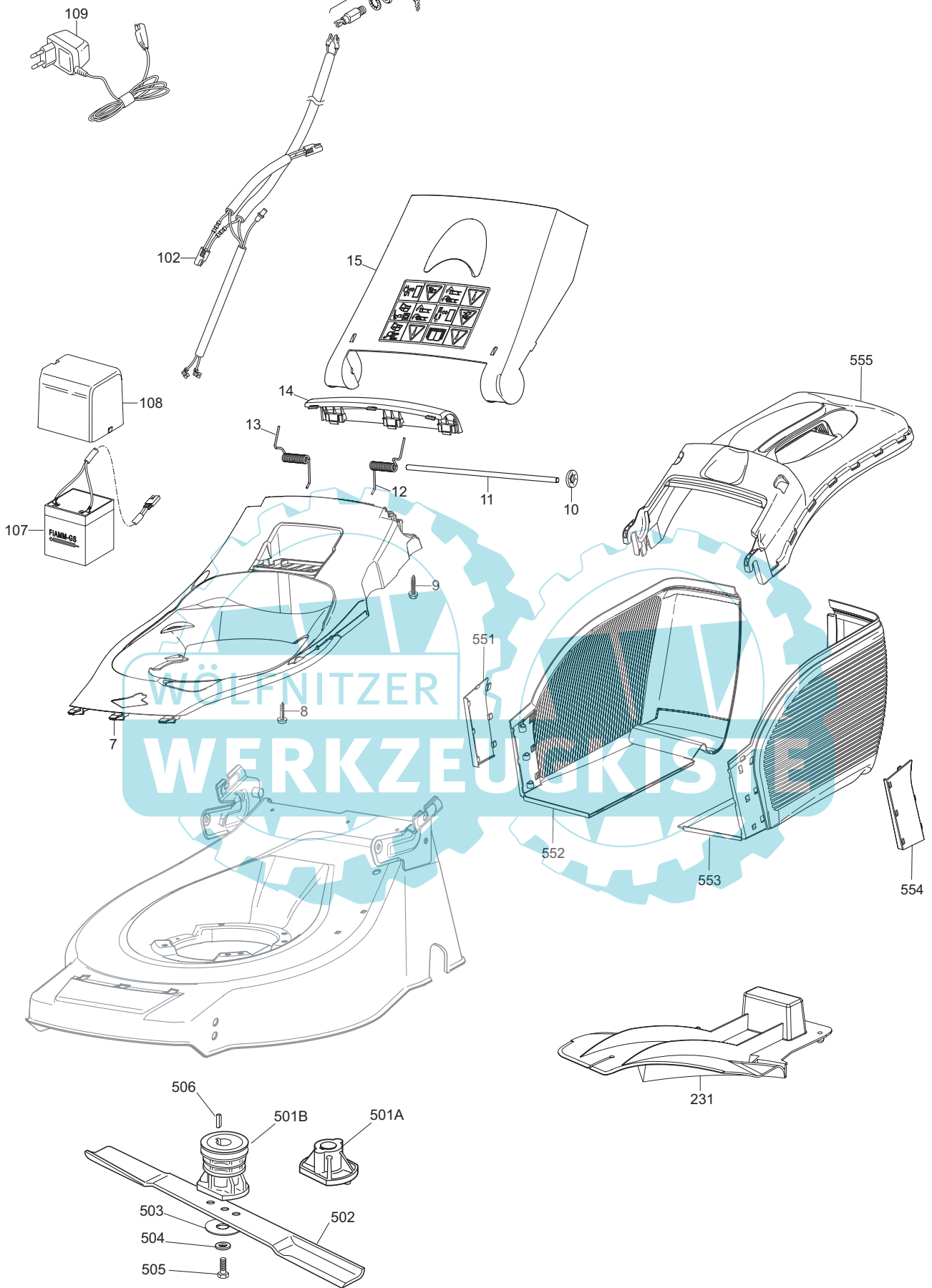


B105

Ausgabe Issue		Bild Nr Picture No			VARIOLUX 48 BC- 48 BCA- 48 BCAE CHASSIE HOLM	VARIOLUX 48 BC- 48 BCA- 48 BCAE CHASSIS HANDLE	Seite Page	
2005- 1		B105					46	
Pos. Fig.	Anzahl/Quantity			Artikel Nr. Part No	Bezeichnung	Description	Satz Kit	Anmerkung Notes
	48 BC	48 BCA	48 BCAE					
X	1	1	1	1	1136-1753-01	Gehäuse.....	Deck.....	
	2	3	3	3	1136-0615-01	Schraube .....	Screw.....	
	3	1	1	1	1136-1329-01	Schutz .....	Protection .....	
	4	4	4	4	9847-8119-16	Schraube .....	Screw.....	
	5		2	2	1136-0682-01	Platte .....	Plate.....	
	6	1	1	1	1136-0665-01	Gummieinsatz.....	Rubber insert .....	
	16	2	2	2	1136-0061-01	Propfen.....	Cap.....	
X	17	1	1	1	1136-1761-01	Holm- Unterteil .....	Handle- lower .....	
X	18	1	1	1	1136-1765-01	Holmrohr .....	Handle tube .....	
X	19	1	1	1	1136-1763-01	Holm- Oberteil .....	Handle- upper.....	
X	20	1	1	1	1136-1716-01	Handgriff .....	Handgrip .....	
X	21	2	2	2	1136-1733-01	Bolzen.....	Pin.....	
	22	2	2	2	9675-0012-02	Verriegelungsscheibe .....	Locking washer .....	
X	23	4	4	4	1136-1755-01	Hebel .....	Handle lever .....	
X	24	4	4	4	1136-1738-01	Scheibe.....	Washer.....	
	25	4	4	4	1136-0309-01	Scheibe.....	Washer.....	
X	26	4	4	4	1136-1721-01	Schloßrad .....	Locking knob .....	
	27	4	4	4	9799-0831-02	Mutter .....	Nut.....	
X	28	2	2	2	1136-1746-01	Gummistopfen.....	Cap.....	
X	29	2	2	2	1136-1709-01	Ringmutter .....	Ring nut .....	
X	30	2	2	2	1136-1708-01	Griff .....	Knob.....	
X	31	2	2	2	1136-1681-01	Schraube .....	Screw.....	
X	32	1	1	1	1136-1720-01	Griff- untere .....	Knob- lower .....	
X	33	1	1	1	1136-1719-01	Griff- obere .....	Knob- upper .....	
X	34	1	1	1	1136-1762-01	Holmrohr .....	Handle tube .....	
	35		3	2	9997-0830-16	Schraube .....	Screw.....	L = 30 mm
	36		3	2	9739-0831-22	Mutter .....	Nut.....	
	37	3			9997-0830-16	Schraube .....	Screw.....	L = 30 mm
	37		1		9997-0860-16	Schraube .....	Screw.....	L = 60 mm
	38	2		1	9699-0028-02	Scheibe.....	Flat washer.....	
	39	3			9739-0831-22	Mutter .....	Nut.....	
	39			1	9747-0831-02	Mutter.....	Lock nut.....	
X	40	1	1	2	1136-1722-01	Seilführer .....	Guide spring .....	
X	41	1	1		1136-1749-01	Motorbremsdraht .....	Engine brake cable .....	
X	41			1	1136-1750-01	Motorbremsdraht .....	Engine brake cable .....	
	42	1	1	1	1136-1343-01	Seilöse.....	Rope guide.....	
	43	1	1	1	9747-0531-02	Mutter .....	Nut.....	
X	45	1	1	1	1136-1679-01	Scheibe.....	Washer.....	
X	46	1	1	1	1136-1680-01	Schraube .....	Screw.....	
X	47	1	1	1	1136-1747-01	Deckel.....	Cap.....	
	51	6	6	6	9836-9225-12	Schraube .....	Screw.....	
X	52	1	1	1	1136-1710-01	Schutz .....	Protection .....	
X	53	1	1	1	1136-1743-01	Stütz .....	Support.....	
X	54	1	2	2	1136-1744-01	Stütz .....	Support.....	
	55	2	4	4	9836-9116-12	Schraube .....	Screw.....	
X	56	1	1	1	1136-1717-01	Regulierbügel .....	Control lever .....	
X	57	1	1	1	1136-1712-01	Schutz .....	Protection .....	
X	58	2	2	2	1136-1692-01	Deckel.....	Cap.....	
X	59	2	2	2	1136-1734-01	Deckel.....	Cover plate.....	
X	60		1	1	1136-1718-01	Regulierbügel .....	Control lever .....	
X	63	1	1	1	1136-1742-01	Stütz .....	Support.....	
X	103	1	1		1136-1713-01	Schutz .....	Protection .....	
X	103			1	1136-1715-01	Schutz .....	Protection .....	
X	104	1	1	1	1136-1711-01	Schutz .....	Protection .....	
X	105	2	2	2	1136-1692-01	Deckel.....	Cap.....	
X	106	4	4	4	9836-9225-12	Schraube .....	Screw.....	
X	111	1	1	1	1136-1768-01	Schraubensatz .....	Screw set .....	



B106

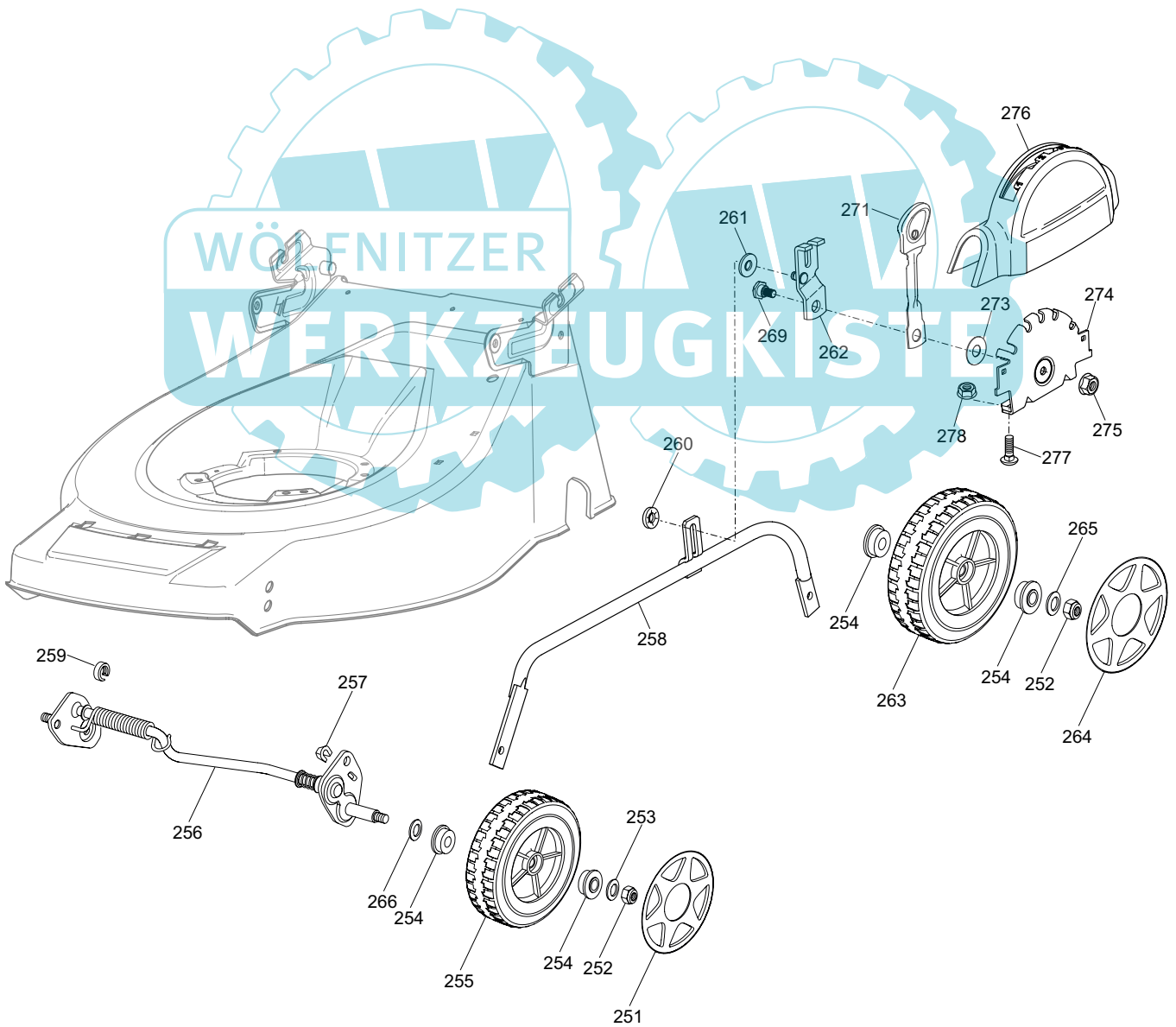
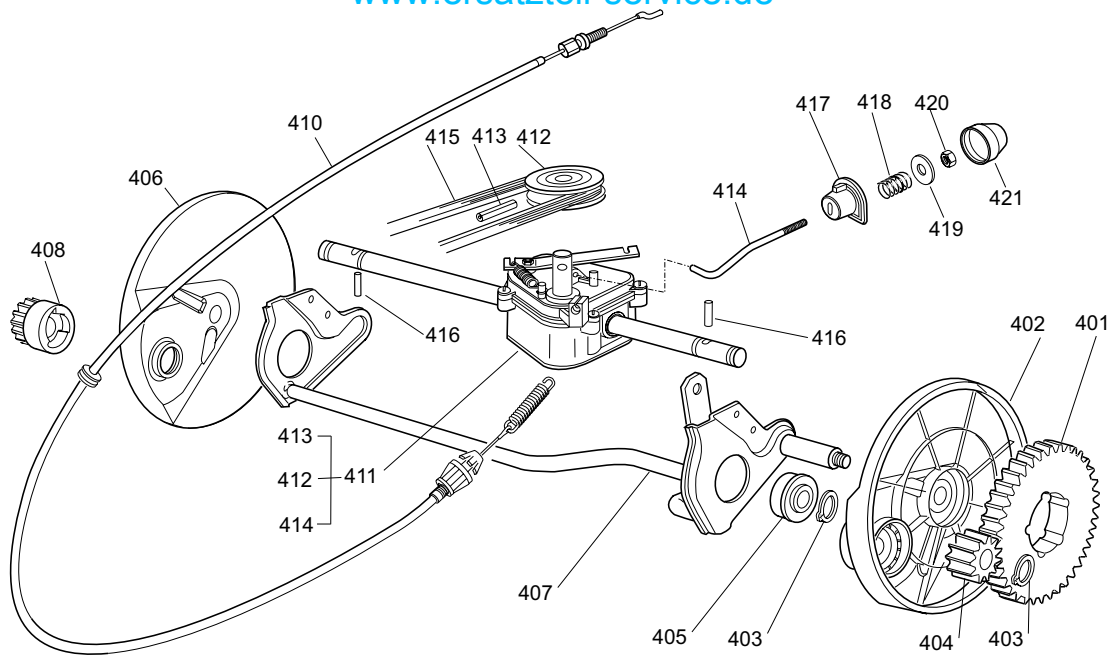


Ausgabe Issue 2005- 1		Bild Nr Picture No B106			VARIOLUX 48 BC- 48 BCA- 48 BCAE MESSER GRASFANGKORB	VARIOLUX 48 BC- 48 BCA- 48 BCAE BLADE GRASS COLLECTOR	Seite Page 48		
Pos. Fig.	Anzahl/Quantity				Artikel Nr. Part No	Bezeichnung	Description	Satz Kit	Anmerkung Notes
	48 BC	48 BCA	48 BCAE						
X 7	1	1			1136-1694-01	Haube .....	Cover .....		
X 7				1	1139-1695-01	Haube .....	Cover .....		
	2	2		2	1117-3226-01	Schraube .....	Screw .....		
	3	3		3	1136-1458-01	Schraube .....	Screw .....		
	2	2		2	9675-0012-02	Verriegelungsscheibe .....	Locking washer .....		
X 11	1	1		1	1136-1731-01	Stange .....	Rod .....		
X 12	1	1		1	1136-1723-01	Feder- links .....	Spring- LH .....		
X 13	1	1		1	1136-1724-01	Feder- rechts .....	Spring- RH .....		
X 14	1	1		1	1136-1698-01	Halter .....	Support .....		
X 15	1	1		1	1136-1736-01	Klappe .....	Rear flap .....		
101				1	1136-0627-01	Schalter .....	Switch .....		
X 102				1	1136-1684-01	Kabelbündel .....	Wire harness .....		
107				1	1136-1320-01	Batterie .....	Battery .....		
108				1	1136-1334-01	Deckel .....	Cover .....		
109				1	1136-1321-01	Ladegerät .....	Charger .....		
231	1	1		1	1136-1338-01	Deflektor .....	Deflector .....		
X 501 A	1				1111-9743-01	Nabe .....	Hub .....		
X 501 B		1		1	1111-9744-01	Nabe m. Scheibe .....	Hub w. pulley .....		
X 502	1	1		1	1111-9741-01	Messer .....	Blade .....		
503	1	1		1	1136-0083-01	Federscheibe .....	Elastic washer .....		
504	1	1		1	1136-0015-01	Scheibe .....	Washer .....		
505	1	1		1	9987-5251-12	Schraube .....	Screw .....		
506	1	1		1	9600-0014-00	Keil .....	Key .....		
X 551	1	1		1	1136-1729-01	Profil- rechts .....	Profile- RH .....		
X 552	1	1		1	1136-1727-01	Graskorb- rechts .....	Grassbox lower- RH .....		
X 553	1	1		1	1136-1728-01	Graskorb- links .....	Grassbox lower- LH .....		
X 554	1	1		1	1136-1730-01	Profil- links .....	Profile- LH .....		
X 555	1	1		1	1136-1726-01	Graskorb- Oberteil .....	Grassbox- upper .....		





Ausgabe Issue 2005- 1		Bild Nr Picture No B107		VARIOLUX 48 BC RADAUFHÄNGUNG		VARIOLUX 48 BC WHEEL SUSPENSION		Seite Page 50	
Pos. Fig.	Anzahl/Quantity				Artikel Nr. Part No	Bezeichnung	Description	Satz Kit	Anmerkung Notes
X	251	2			1136-1701-01	Radkappe- grau .....	Hub cap- grey .....		
	252	4			9747-0831-02	Mutter .....	Lock nut .....		
	253	4			9699-0028-02	Scheibe .....	Flat washer .....		
	254	8			1136-0655-01	Lager .....	Bearing .....		
	255	2			1136-1520-01	Rad .....	Wheel .....		
	256	1			1136-1357-01	Radachse- vorne .....	Wheel axle- front .....		
	257	2			1136-0009-01	Schließplatte .....	Lock plate .....		
X	258	1			1136-1759-01	Höhenverstellstange .....	Height adjust rod .....		
	259	1			1136-0658-01	Distanzring .....	Spacer .....		
	260	1			9675-0009-02	Verriegelungsscheibe .....	Starlock .....		
	261	1			1136-0006-01	Federscheibe .....	Elastic washer .....		
X	262	1			1136-1757-01	Halter .....	Attachment .....		
	263	2			1136-0772-01	Rad .....	Wheel .....		
X	264	2			1136-1702-01	Radkappe- grau .....	Hub cap- grey .....		
	266	4			1136-0609-01	Elastische Scheibe .....	Elastic washer .....		
X	269	1			1136-1732-01	Schulterschraube .....	Shoulder bolt .....		
X	271	1			1136-1756-01	Höhenverstellhebel .....	Height adjust lever .....		
	273	1			1136-0089-01	Scheibe .....	Washer .....		
X	274	1			1136-1740-01	Sektor .....	Height adjust sector .....		
	275	1			9747-0831-02	Mutter .....	Lock nut .....		
X	276	1			1136-1693-01	Deckel .....	Cover .....		
	277	2			9898-0616-16	Schraube .....	Screw .....		
	278	2			9799-0631-02	Mutter .....	Nut .....		
	281	1			1136-0729-01	Hinterradachse .....	Rear wheel axle .....		
	282	1			1136-0657-01	Distanzring .....	Spacer .....		
	283	4			9847-8119-16	Schraube .....	Screw .....		
	284	2			1136-0681-01	Platte .....	Plate .....		
	285	1			1136-0636-01	Buchse- links .....	Bush- LH .....		
	286	1			1136-0635-01	Buchse- rechts .....	Bush- RH .....		



B103





Ausgabe Issue		Bild Nr Picture No		VARIOLUX 48 BCA- 48 BCAE RADAUFHÄNGUNG GETRIEBE		VARIOLUX 48 BCA- 48 BCAE WHEEL SUSPENSION TRANSMISSION		Seite Page	
2005- 1		B103						52	
Pos. Fig.	Anzahl/Quantity			Artikel Nr. Part No	Bezeichnung	Description	Satz Kit	Anmerkung Notes	
	48 BCA	48 BCAE							
X	251	2	2	1136-1701-01	Radkappe- grau .....	Hub cap- grey .....			
	252	4	4	9747-0831-02	Mutter .....	Lock nut .....			
	253	2	2	9699-0028-02	Scheibe .....	Flat washer .....			
	254	8	8	1136-0655-01	Lager .....	Bearing .....			
	255	2	2	1136-1520-01	Rad .....	Wheel .....			
	256	1	1	1136-1357-01	Radachse- vorne .....	Wheel axle- front .....			
	257	2	2	1136-0009-01	Schließplatte .....	Lock plate .....			
X	258	1	1	1136-1759-01	Höhenverstellstange .....	Height adjust rod .....			
	259	1	1	1136-0658-01	Distanzring .....	Spacer .....			
	260	1	1	9675-0009-02	Verriegelungsscheibe .....	Starlock .....			
	261	1	1	1136-0006-01	Federscheibe .....	Elastic washer .....			
X	262	1	1	1136-1757-01	Halter .....	Attachment .....			
	263	2	2	1136-0772-01	Rad .....	Wheel .....			
X	264	2	2	1136-1702-01	Radkappe- grau .....	Hub cap- grey .....			
	265	2	2	1136-0006-01	Federscheibe .....	Elastic washer .....			
	266	2	2	1136-0609-01	Elastische Scheibe .....	Elastic washer .....			
X	269	1	1	1136-1732-01	Schulterschraube .....	Shoulder bolt .....			
X	271	1	1	1136-1756-01	Höhenverstellhebel .....	Height adjust lever .....			
	273	1	1	1136-0089-01	Scheibe .....	Washer .....			
X	274	1	1	1136-1740-01	Sektor .....	Height adjust sector .....			
	275	1	1	9747-0831-02	Mutter .....	Lock nut .....			
X	276	1	1	1136-1693-01	Deckel .....	Cover .....			
	277	2	2	9898-0616-16	Schraube .....	Screw .....			
	278	2	2	9799-0631-02	Mutter .....	Nut .....			
	401	2	2	1136-0653-01	Kranz .....	Ring gear .....			
	402	1	1	1136-0690-01	Radschutz- links .....	Wheel protection- LH .....			
	403	4	4	9650-0012-04	Seegersicherung .....	Circlip .....			
	404	1	1	1136-0685-01	Ritzel- links .....	Pinion- LH .....			
	405	2	2	1136-0632-01	Lager .....	Bearing .....			
	406	1	1	1136-0689-01	Radschutz- rechts .....	Wheel protection- RH .....			
	407	1	1	1136-0713-01	Hinterradachse .....	Rear wheel axle .....			
	408	1	1	1136-0684-01	Ritzel- rechts .....	Pinion- RH .....			
X	410	1	1	1136-1748-01	Kupplungsdraht .....	Clutch cable .....			
	411	1	1	1136-1456-01	Getriebe Kpl (schw) .....	Gearbox assy (black) .....			
	412	1	1	1136-0692-01	Riemenscheibe .....	Pulley .....			
	413	1	1	1136-0612-01	Stift .....	Pin .....			
	414	1	1	1136-1454-01	Verstellstange .....	Adjustment rod .....			
X	415	1	1	1136-9745-01	Riemen .....	Belt .....			
	416	2	2	1136-0697-01	Stift .....	Pin .....			
	417	1	1	1136-0638-01	Buchse .....	Bush .....			
	418	1	1	1136-0668-01	Feder .....	Spring .....			
	419	1	1	1136-0091-01	Scheibe .....	Washer .....			
	420	1	1	9747-0631-02	Mutter .....	Lock nut .....			
	421	1	1	1136-0081-01	Nabenkapsel .....	Hub cap .....			